

▼ Shown from top to bottom: PAMG1402N, PARG1102N, PATG1102N, PATG1105N



- External adjustable pressure relief valve (behind sight glass)
- Return-to-tank port for use in remote valve applications
- Internal pressure relief valve provides overload protection
- Quieter operation – reduced noise level to 76 dBA
- Operating air pressure: 2,8 - 8,8 bar, enables pump to start at extremely low pressure
- High efficiency cast aluminium air motor
- Reinforced heavy-duty lightweight reservoir for applications in tough environments
- Air pendant for remote control operation.

## Compact Air Over Hydraulic



### Regulator-Filter-Lubricator

Recommended for use with all Turbo air pumps. Provides clean, lubricated air and allows for air pressure adjustment. Steel bowl guards are standard.

Model Number

**RFL102**



### Large Reservoir Models

The Turbo II Air Pump is also available with an enlarged reservoir: **PATG1105N**, **PAMG1405N** and **PARG1105N**.



### Hoses

Enerpac offers a complete line of high quality hydraulic hoses. To ensure the integrity of your system, specify only genuine Enerpac hydraulic hoses.

Page: **128**

▼ Easily operated by hand or by foot.



| Used with Cylinder | Usable Oil Capacity<br>(cm <sup>3</sup> ) | Model Number     |
|--------------------|---|------------------|
| Single-Acting      | 2081                                      | <b>PATG1102N</b> |
|                    | 3770                                      | <b>PATG1105N</b> |
| Single-Acting      | 2081                                      | <b>PARG1102N</b> |
|                    | 3770                                      | <b>PARG1105N</b> |
| Double-Acting      | 2081                                      | <b>PAMG1402N</b> |
|                    | 3770                                      | <b>PAMG1405N</b> |

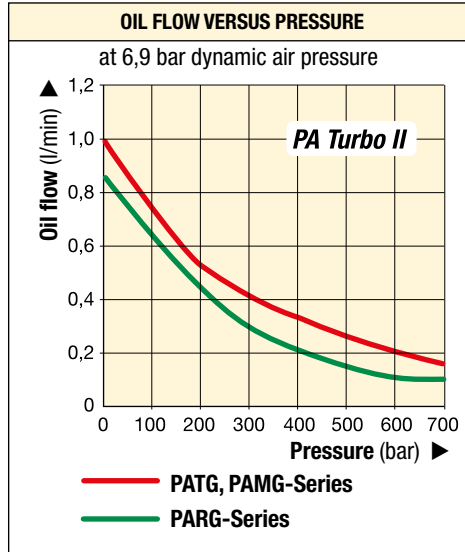
# PA-Series, Turbo II Air Hydraulic Pumps



**PATG-models** use a foot or hand operated treadle to control air and valve functions.

**PAMG-models** use a treadle with a locking feature to control air, and a 4-way manual valve to control hydraulics.

**PARG-models** use air pendant for remote control.



## PATG PAMG PARG Series



Reservoir Capacity:

**2,5 - 5,0 litres**

Flow at Rated Pressure:

**0,10 - 0,16 l/min**

Air Consumption:

**227 - 340 l/min**

Maximum Operating Pressure:

**700 bar**

| Maximum Pressure<br>(bar) | Output Flow Rate<br>(l/min) |      | Pump Series | Valve Function | Air Pressure Range<br>(bar) | Air Consumption at 5,2 bar air<br>(l/min) | Sound Level<br>(dBA) |
|---------------------------|-----------------------------|------|-------------|----------------|-----------------------------|---|----------------------|
|                           | No Load                     | Load |             |                |                             |   |                      |
| 700                       | 1,00                        | 0,16 | <b>PATG</b> | A / H / R *    | 2,8 - 8,8                   | 340                                       | 76                   |
| 700                       | 0,76                        | 0,10 | <b>PARG</b> | A / H / R *    | 2,8 - 10,3                  | 227                                       | 76                   |
| 700                       | 1,00                        | 0,16 | <b>PAMG</b> | A / H / R *    | 2,8 - 8,8                   | 340                                       | 76                   |

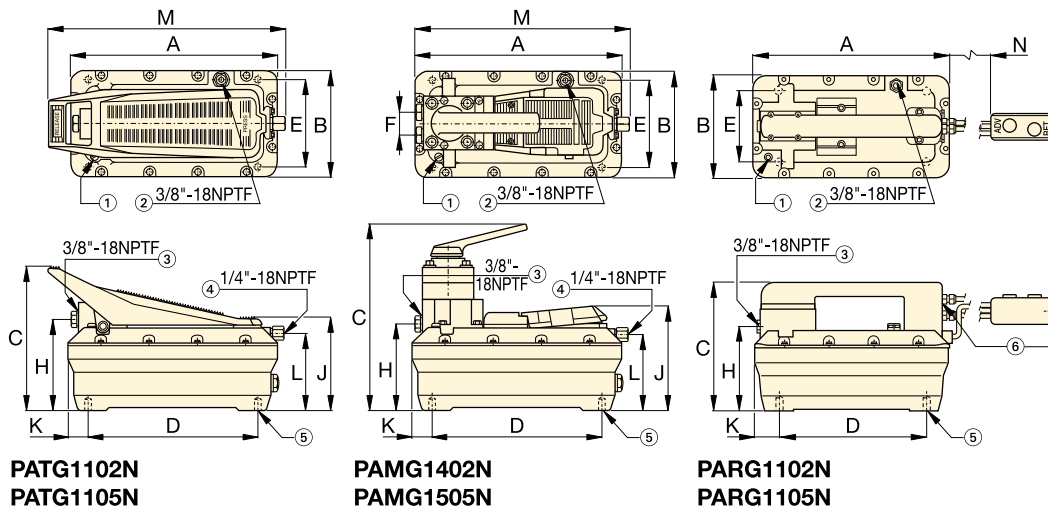
\* Valve function: Advance / Hold / Retract.



### Speed Chart

To determine how a specific pump will operate your cylinder, see the Pump-Cylinder Speed Chart in the 'Yellow Pages'.

Page: 405



| Valve Operation | Turbo II Dimensions (mm) |     |     |     |     |    |     |     |    |     |     |      |      | Model Number     |
|-----------------|--------------------------|-----|-----|-----|-----|----|-----|-----|----|-----|-----|------|------|------------------|
|                 | A                        | B   | C   | D   | E   | F  | H   | J   | K  | L   | M   | N    | (kg) |                  |
| Treadle 3/3     | 313                      | 165 | 211 | 230 | 102 | —  | 129 | 146 | 42 | 113 | 347 | —    | 8,2  | <b>PATG1102N</b> |
|                 | 396                      | 201 | 209 | 230 | 102 | —  | 131 | 146 | 86 | 112 | 437 | —    | 9,9  | <b>PATG1105N</b> |
| Air Pendant 3/3 | 313                      | 165 | 200 | 230 | 102 | —  | 129 | —   | 42 | —   | —   | 4500 | 10,0 | <b>PARG1102N</b> |
|                 | 396                      | 201 | 209 | 230 | 102 | —  | 131 | —   | 86 | —   | —   | 4500 | 11,7 | <b>PARG1105N</b> |
| Manual 4/3      | 313                      | 165 | 267 | 230 | 102 | 36 | 130 | 152 | 42 | 113 | 315 | —    | 11,0 | <b>PAMG1402N</b> |
|                 | 396                      | 201 | 267 | 230 | 102 | 36 | 132 | 152 | 86 | 112 | 405 | —    | 12,7 | <b>PAMG1405N</b> |